

Mono[®]

a Halliburton company

TRI-HAMMER MACERATORS



Mono[®]


Construction

Derived from a pedigree of over 11,000 installations worldwide our Macerator range incorporates a number of design advances over older machines that give improvements in both maintenance and energy costs.

2 Model Range M12 and M18

Flow on Raw Sewage: M12 up to 5m³/h
M18 up to 15m³/h

(N.B. For higher flows please refer to our Muncher® range of grinders).

Both models available with straight in or 90° inlet chambers.

Horizontal Macerator



M18 Macerators, part of a Mutrator system installed to macerate settled sludge and storm tank effluent.

Use of high strength Chrome Molybdenum alloy steel allows impeller to be of slimmer 'dished' profile - less resistance to water flow and better flow path for solids - lower energy consumption.

One nut fixing for impeller - easier than fiddling around with Allen keys and socket head screws.



1. Mechanical Seal

Entire seal assembly is oil lubricated and mounted out of contact with liquid being processed. Substantial increase in seal life expectancy.

Easier to exchange impeller as seal is not part of impeller hub - seal not disturbed when changing impeller.

2. Tri-Hammer Impeller

A 3 hammer impeller replaces the old 2 hammer impeller

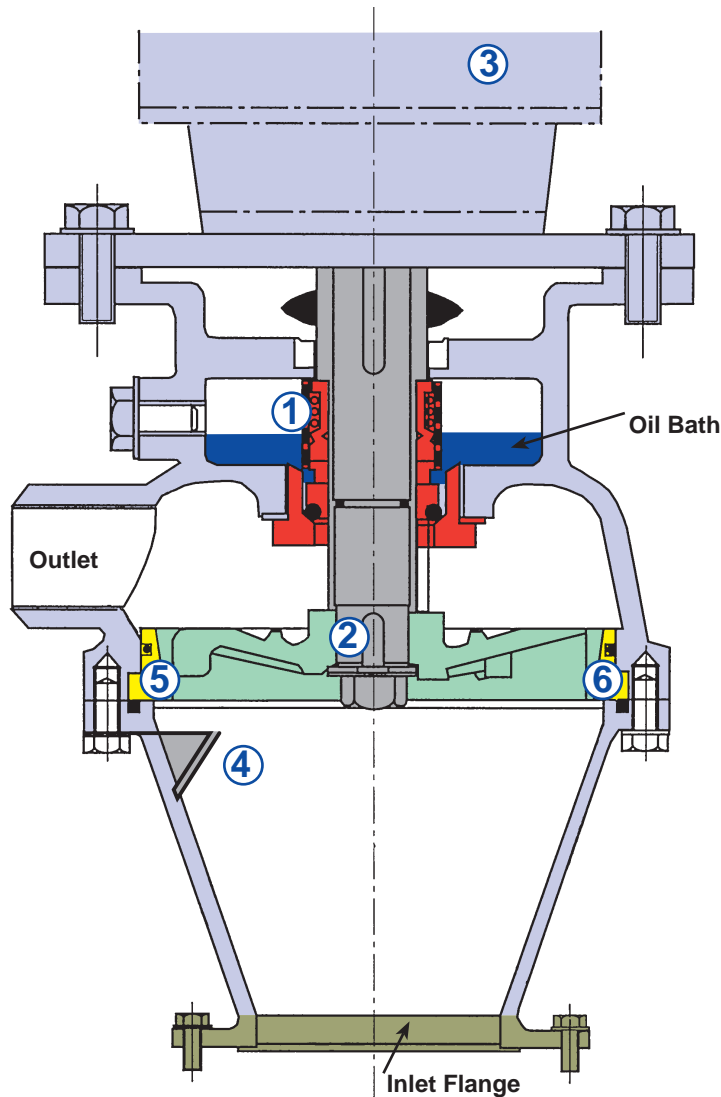
- Better balance
- More 'blows' per revolution (more efficient grinding/maceration).



Tri-Hammer Impeller

3. Standard IP55 Motor

Single or 3 phase



4. Anti-Swirl Fins

Inlet chamber contains 2 large anti-swirl fins to stop 'spinning' of textiles and to direct solids in suspension into optimum flow path for maceration through impeller.

5. Cutter Ring

Investment cast in Chromium Iron optimum combination of both hardness and resilience - positively clamped in position by inlet chamber. Hardened and internally ground for maximum cutting efficiency.

Body and Inlet Chamber

Cast in corrosion resistant Grade 220/260. Cast iron BS 1452 (1977).

Outlet screwed BSP (female) for direct connection to discharge pipework.

Units can operate in vertical or horizontal mounting position.

90° inlets normally fitted when macerator mounted horizontally e.g. in 'Grifter' or 'Compact Mutrator' layout and have rodding eye for suction pipe clearance duties.



M180 mm Vertical Macerator installed as part of a pumping system to handle sewage from a primary school.

Retrofitting to Existing Mono[®] Mutrators

A special adaptor ring is available to enable easy retrofitting of the M18 unit to all existing group 2 (7") and group 3 (8") Macerators. The ring simply fits onto the existing inlet canopy without the need to disturb the baseplate or suction pipe.



The new Tri-Hammer Macerators offer both an improvement in energy consumption and lower spares prices.

The following table shows comparative power consumption of the new models against our earlier units.

Power Consumption Tests

New M18 design in comparison with:

1. Existing Group 2 macerator
2. Existing Group 3 macerator

Tests conducted in test plant during February 1990.

Power Consumed @	10m ³ /h	16m ³ /h
Group 2 180mm macerator/3kW motor	4.0 amps	4.0 amps
Group 3 200mm macerator/5.5kW motor	9.5 amps	9.5 amps
New M18/2.2kW motor	3.0 amps	3.0 amps

(Tests conducted on water @ approx 15 °C)

	Old Types	New Types
Grifter	125mm macerator for CP25 and CP800 Grifters	New M12 macerator used with CP25 and CP800 Grifter pumps
	150mm macerator for CP1600 Grifter (light duty)	CP1600 Grifter discontinued
Mutrator	150mm macerator (group 1)	New M18 macerator
	180mm macerator (group 2)	
	200mm macerator (group 3)	New M18 macerator or SB Muncher [®]
	250mm macerator (group 4)	
	300mm macerator (group 5)	

Physical Connectors

2 Model Range M12 and M18

Cutter/Impeller diameters: 125mm/180mm

Flow on Raw Sewage: M12 up to 5m³/h
M18 up to 15m³/h with pump assistance i.e. Mutrator/Grifter type installation.

M12

Inlet: 80mm Flanged with NP6 drillings.
Straight in or 90° bend.

Outlet: 1 1/2" BSP female.

M18

Inlet: 100mm or 150mm Flanged NP16 drilling.
Straight in.
125mm Flanged NP16 drilling. 90° bend.

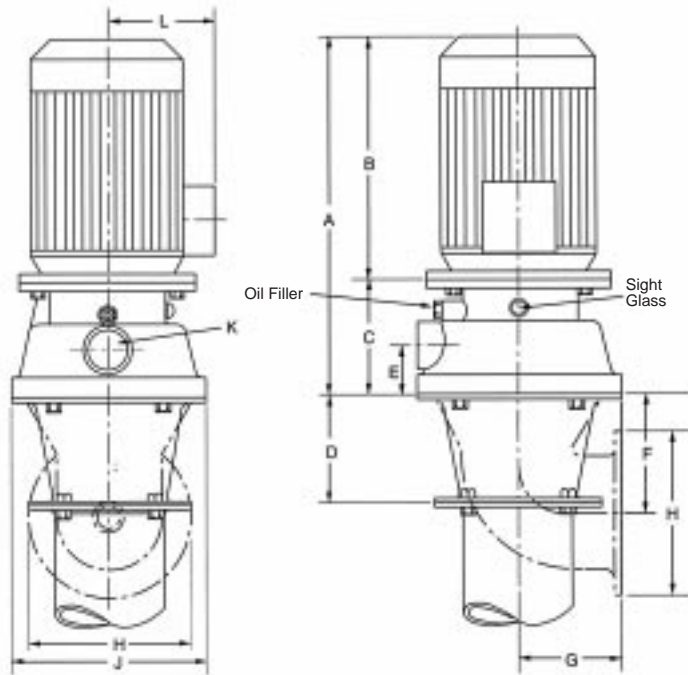
Outlet: 2" BSP female.

Range Selector

Mono Macerator G. A. Drawings and Dimensions

Units can be mounted vertically or horizontally.

Dimensions shown are for guidance and planning purposes only. Please obtain certified drawings before proceeding with detail design work.



Model	Motor	Frame	*A	B	C	D	E	F	G	H		J	K	L
M18	2.2kW	D100 LA	473.5	311	162.5	150	70.5	170	140	220	100 n/b	275	2"	151
	3.0kW	D100 LB	473.5	311	162.5	150	70.5	170	140	250	125 n/b	275	2"	151
	4.0kW	D100 LK	473.5	311	162.5	150	70.5	170	140	280	150 n/b	275	2"	151
M12	0.55kW	D90S	398	264	134	100	45	150	90	190	80 n/b	200	1.5"	140
	0.75kW	D90L	423	289	134	100	45	150	90	190	80 n/b	200	1.5"	140

All dimensions in mm unless otherwise stated

NOTES: *For M18X Unit, Dimensions A, C and E add 20mm
*For M18Y Unit, Dimensions A, C and E add 30mm
A 5.5kW motor is available for the M18 for special duties on application to Mono Pumps

Mono Pumps Around the World



Americas

Monoflo Incorporated
16503 Park Row
Houston
Texas 77084
U.S.A.
Tel: +1 281 599 4700
Fax: +1 281 599 4733
E-mail: inquire@monoflo.com
www.monoflo.com

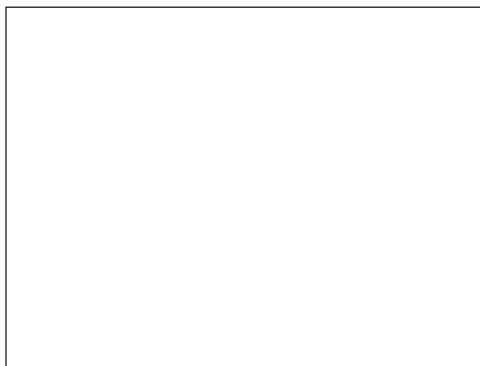
Europe

Mono Pumps Limited
Martin Street
Audenshaw
Manchester M34 5DQ
England
Tel: +44 (0)161 339 9000
Fax: +44 (0)161 344 0727
E-mail: info@mono-pumps.com
www.mono-pumps.com

Australasia

Mono Pumps (Australia) Pty Ltd
338-348 Lower Dandenong Road
Mordialloc
Victoria 3195
Australia
Tel: +61 (0)3 9580 5211
Fax: +61 (0)3 9580 9036
E-mail: ozsales@mono-pumps.com
www.mono-pumps.com

Your local Authorised Distributor:



Please contact the nearest Mono Office for details of your local authorised distributor.

Published information other than that marked CERTIFIED does not extend any warranty or representation, expressed or implied, regarding these products. Any such warranties or other terms and conditions of sales and products shall be in accordance with Mono Pumps Limited standard terms and conditions of sale, available on request.

Mono Pumps (New Zealand) Ltd
P.O. Box 71-021
35 - 41 Fremlin Place
Avondale
Auckland 7
New Zealand
Tel: +64 (0)9 829 0333
Fax: +64 (0)9 828 6480
E-mail: ozsales@mono-pumps.com
www.mono-pumps.com

© Mono Pumps Limited August 2001.
Mono® and Muncher® are registered trademarks of Mono Pumps Ltd.
Registered in England No. 300721

SLWP/007/01/R2

Mono Pumps Ltd
Martin Street, Audenshaw
Manchester M34 5DQ England
Tel: +44 (0)161 339 9000 Fax: +44 (0)161 344 0727
e-mail: info@mono-pumps.com
www.mono-pumps.com

Mono®

a Halliburton company